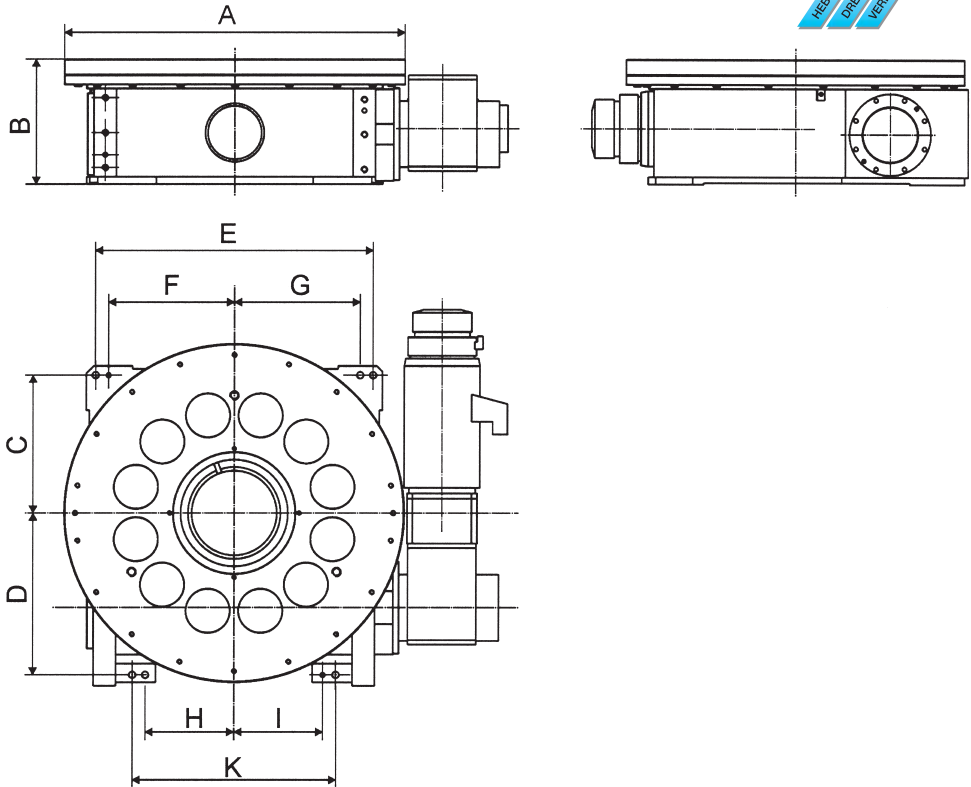


# EDF 710/920/1120/1350



Dimensions mm	A	B	C	D	E	F	G	H	I	K	K	M
<b>EDF710</b>	710	340	275	350	550	240	-	-	175	420	*	*
<b>EDF920</b>	920	340	375	440	750	340	340	240	240	550	*	*
<b>EDF1120</b>	1120	410	475	530	950	440	440	300	300	700	*	*
<b>EDF1350</b>	1350	450	570	650	1140	530	490	350	390	860	490	350

\*Not fitted with a boring in this size.

Admissible loads	Static basic load rating of the table plate bearing			Maximum torque (Nm)	Admissible continuous torque ratings (Nm)
	$C_{OA}$ (N)	$C_{OR}$ (N)	$C_{OM}$ (Nm)		
<b>EDF710</b>	816000	384000	116000	8060	5040
<b>EDF920</b>	1091000	513000	205000	15450	10300
<b>EDF1120</b>	1812000	853000	425000	23500	15180
<b>EDF1350</b>	2016000	991000	602000	34500	22500